

DC50H



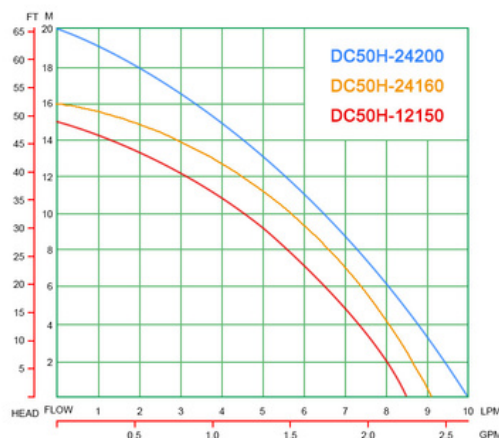
FEATURES

- Brushless DC motor, electronic commutation, no mechanical wear
- Compact size & high efficiency
- Long lifespan for 24 hours continuous operation
- No spark, low voltage operation, safety
- Low noise, maintenance-free
- Magnetic driven, stator coil & circuit board are entirely isolated from the liquid by the isolation layer
- Waterproof grade IP68
- Easy installation & portable
- Wide voltage operation, flexible customized functions
- Suitable for water, oil, acid, and alkali solution

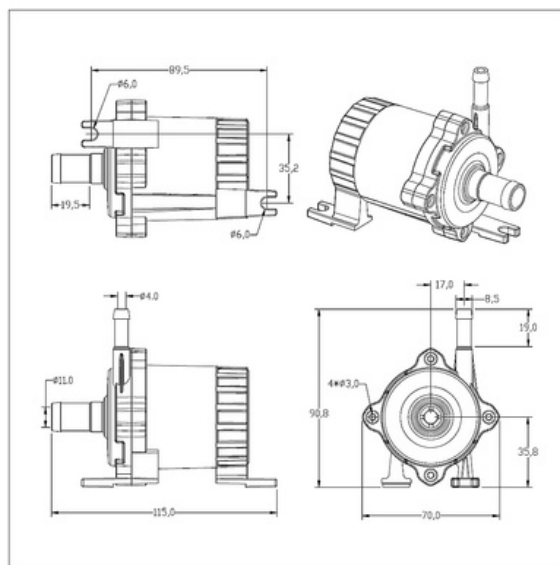
MAIN SPECIFICATIONS

- Inlet (Outer diameter): 14mm
- Outlet (Outer diameter): 7mm
- Body Shell Material: PPS
- Cover Shell Material: PA66+30%GF
- Impeller Material: POM
- Weight: about 615g
- Max Working temperature: 100°C

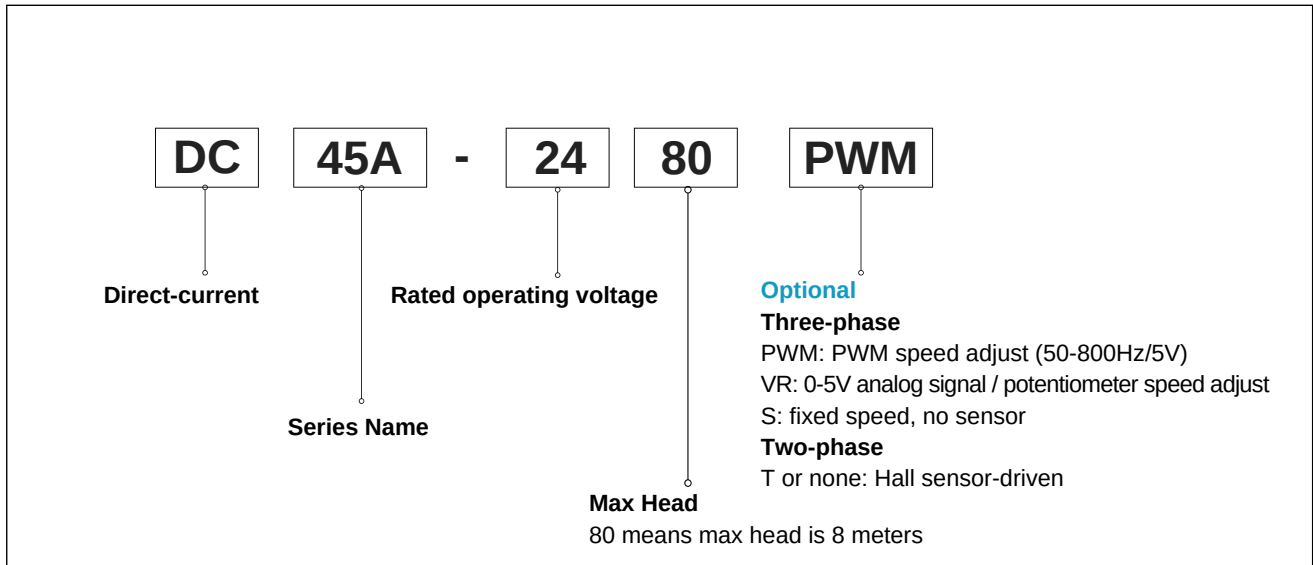
PERFORMANCE CURVE



DIMENSIONS



MODEL CODE INSTRUCTION



MODE LIST

Model	Rated Voltage	Operating Voltage Range	Rated Current	Max Flow	Max Head
DC50H-12150PWM	DC12V	DC10-18V	4.5A	500L/H	15M
DC50H-12150VR					
DC50H-12150S					
DC50H-24200PWM	DC24V	DC10-30V	3.3A	600L/H	20M
DC50H-24200VR					
DC50H-24200S					

