

## DC60D



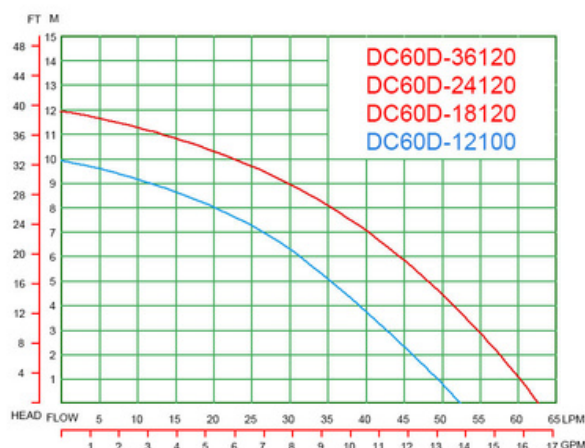
### FEATURES

- Brushless DC motor, electronic commutation, no mechanical wear
- Compact size & high efficiency
- Long lifespan for 24 hours continuous operation
- No spark, low voltage operation, safety
- Low noise, maintenance-free
- Magnetic driven, stator coil & circuit board are entirely isolated from the liquid by the isolation layer
- Waterproof grade IP68
- Easy installation & portable
- Wide voltage operation, flexible customized functions
- Suitable for water, oil, acid, and alkali solution

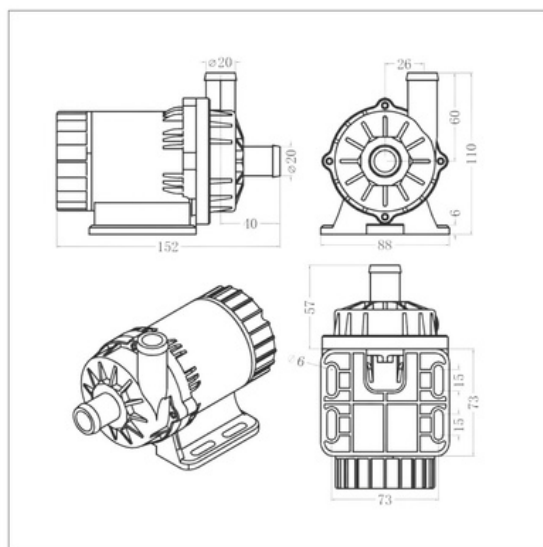
### MAIN SPECIFICATIONS

- Inlet (Outer diameter): 20 mm
- Outlet (Outer diameter): 20 mm
- Body Shell Material: PPS
- Cover Shell Material: PA66+30%GF
- Impeller Material: PPO
- Dimensions: 152x88x110mm
- Weight: about 890 g
- Max Working temperature: 100°C

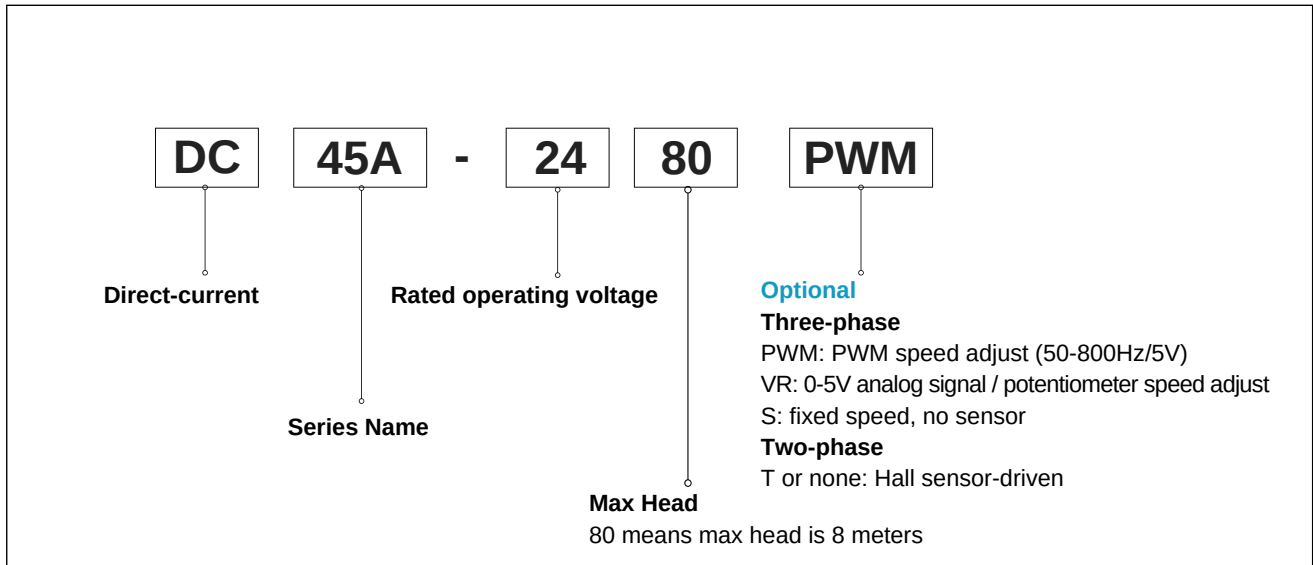
### PERFORMANCE CURVE



### DIMENSIONS



## MODEL CODE INSTRUCTION



## MODE LIST

Model	Rated Voltage	Operating Voltage Range	Rated Current	Max Flow	Max Head
DC60D-12100PWM	DC12V	DC10-18V	6.6A	3200L/H	10M
DC60D-12100VR					
DC60D-12100S					
DC60D-18120PWM	DC18V	DC10-24V	6.6A	3800L/H	12M
DC60D-18120VR					
DC60D-18120S					
DC60D-24120PWM	DC24V	DC10-30V	5.0A	3800L/H	12M
DC60D-24120VR					
DC60D-24120S					
DC60D-36120PWM	DC36V	DC15-40V	3.3A	3800L/H	12M
DC60D-36120VR					
DC60D-36120S					