

## DC80D



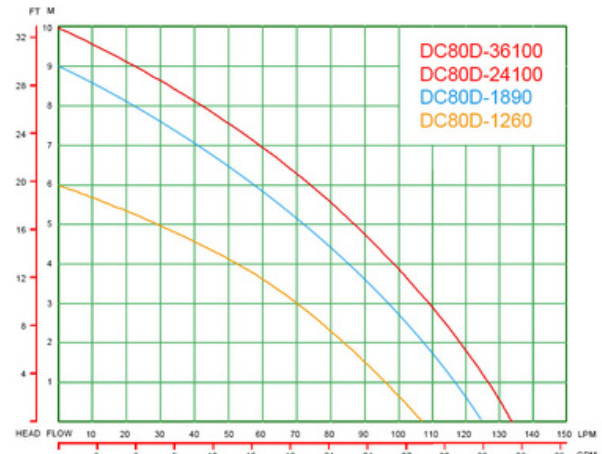
### FEATURES

- Brushless DC motor, electronic commutation, no mechanical wear
- Compact size & high efficiency
- Long lifespan for 24 hours continuous operation
- No spark, low voltage operation, safety
- Low noise, maintenance-free
- Magnetic driven, stator coil & circuit board are entirely isolated from the liquid by the isolation layer
- Waterproof grade IP68
- Easy installation & portable
- Wide voltage operation, flexible customized functions
- Suitable for water, oil, acid, and alkali solution

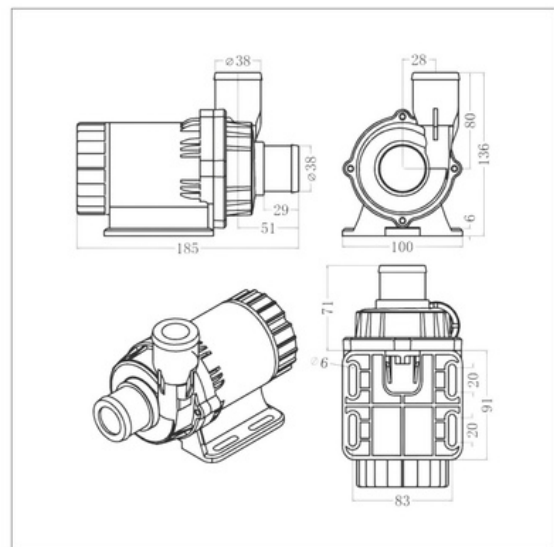
### MAIN SPECIFICATIONS

- Inlet (Outer diameter): 38mm
- Outlet (Outer diameter): 38mm
- Body Shell Material: PPS
- Cover Shell Material: PA66+30%GF
- Impeller Material: PPO
- Dimensions: 185x100x136mm
- Weight: about 2.1kg
- Max Working temperature: 100°C

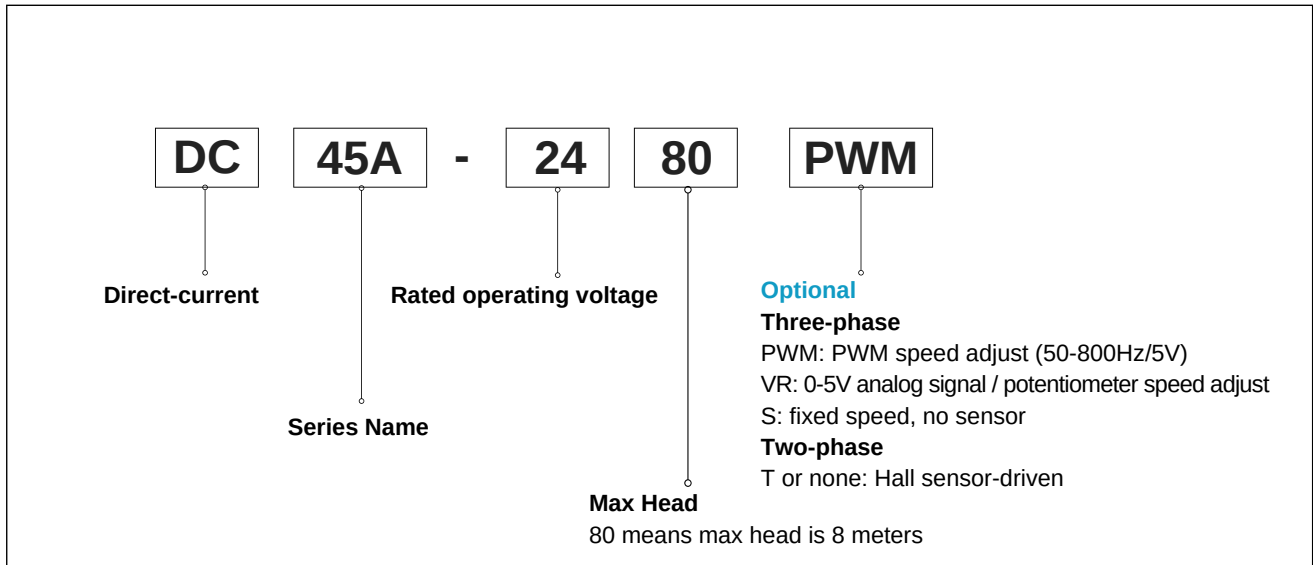
### PERFORMANCE CURVE



### DIMENSIONS



**MODEL CODE INSTRUCTION**



**MODE LIST**

Model	Rated Voltage	Operating Voltage Range	Rated Current	Max Flow	Max Head
DC80D-1260PWM	DC12V	DC10-18V	6.6A	6500L/H	6M
DC80D-1260VR					
DC80D-1260S					
DC80D-1890PWM	DC18V	DC10-24V	6.6A	7500L/H	9M
DC80D-1890VR					
DC80D-1890S					
DC80D-24100PWM	DC24V	DC10-30V	6.3A	8000L/H	10M
DC80D-24100VR					
DC80D-24100S					
DC80D-36100PWM	DC36V	DC15-40V	4.2A	8000L/H	10M
DC80D-36100VR					
DC80D-36100S					

