

DC85E



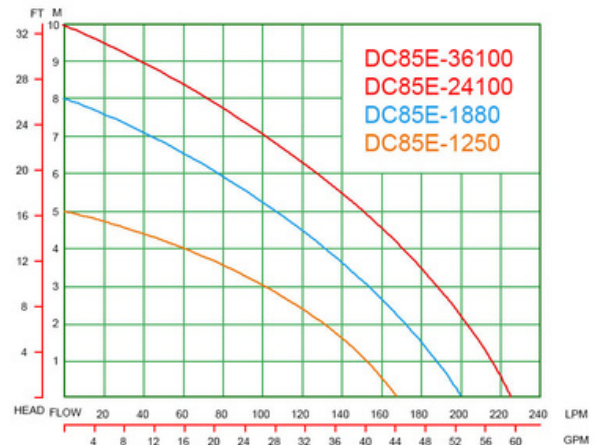
FEATURES

- Brushless DC motor, electronic commutation, no mechanical wear
- Compact size & high efficiency
- Long lifespan for 24 hours continuous operation
- No spark, low voltage operation, safety
- Low noise, maintenance-free
- Magnetic driven, stator coil & circuit board are entirely isolated from the liquid by the isolation layer
- Waterproof grade IP68
- Easy installation & portable
- Wide voltage operation, flexible customized functions
- Suitable for water, oil, acid, and alkali solution

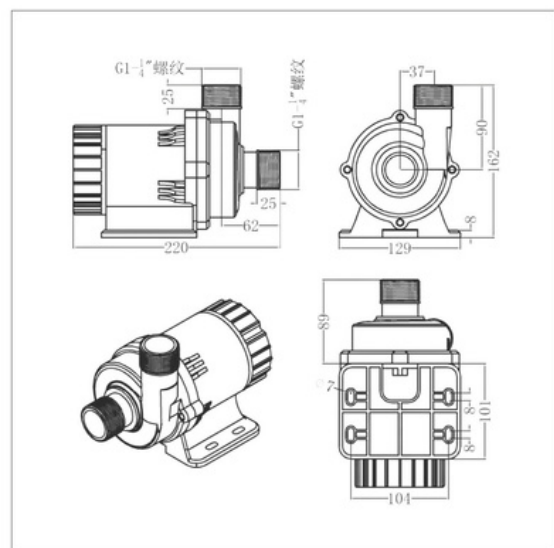
MAIN SPECIFICATIONS

- Inlet (Outer diameter): 1-1/4" thread
- Outlet (Outer diameter): 1-1/4" thread
- Body Shell Material: PPS
- Cover Shell Material: PA66+30%GF
- Impeller Material: PPO
- Dimensions: 220x129x162mm
- Weight: about 3.2kg
- Max Working temperature: 100°C

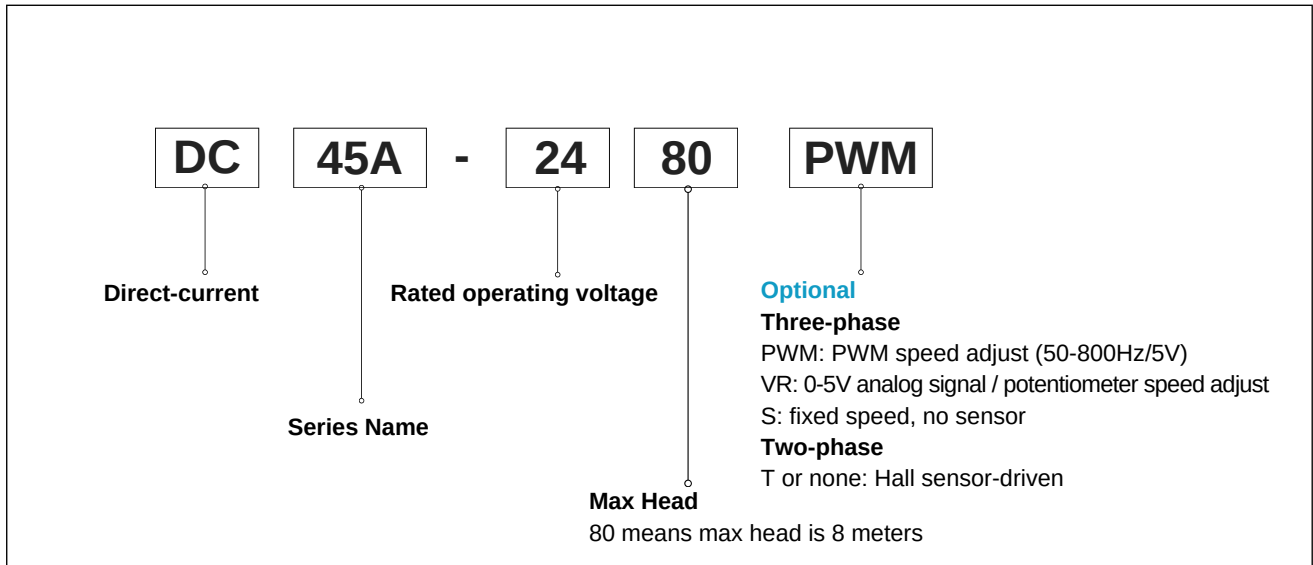
PERFORMANCE CURVE



DIMENSIONS



MODEL CODE INSTRUCTION



MODE LIST

Model	Rated Voltage	Operating Voltage Range	Rated Current	Max Flow	Max Head
DC85E-1250PWM	DC12V	DC10-18V	8.3A	10000L/H	5M
DC85E-1250VR					
DC85E-1250S					
DC85E-1880PWM	DC18V	DC10-24V	8.3A	12000L/H	8M
DC85E-1880VR					
DC85E-1880S					
DC85E-24100PWM	DC24V	DC10-30V	8.3A	13500L/H	10M
DC85E-24100VR					
DC85E-24100S					
DC85E-36100PWM	DC36V	DC15-40V	5.5A	13500L/H	10M
DC85E-36100VR					
DC85E-36100S					

